

DATASHEET

Adquio Wall Screen 8"


Casambi Ready control screen

Casambi and HMI for Adquio, customizable

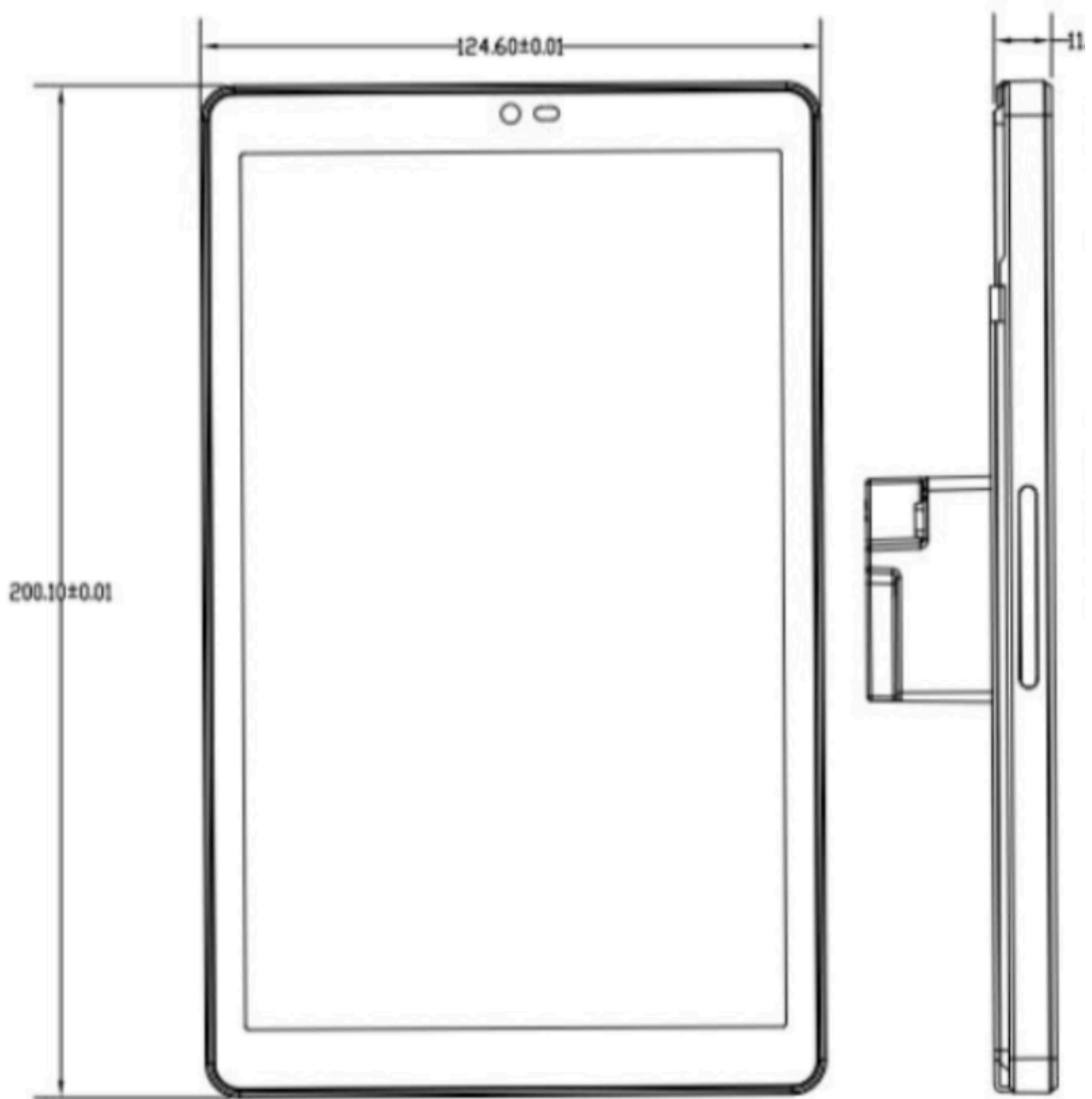


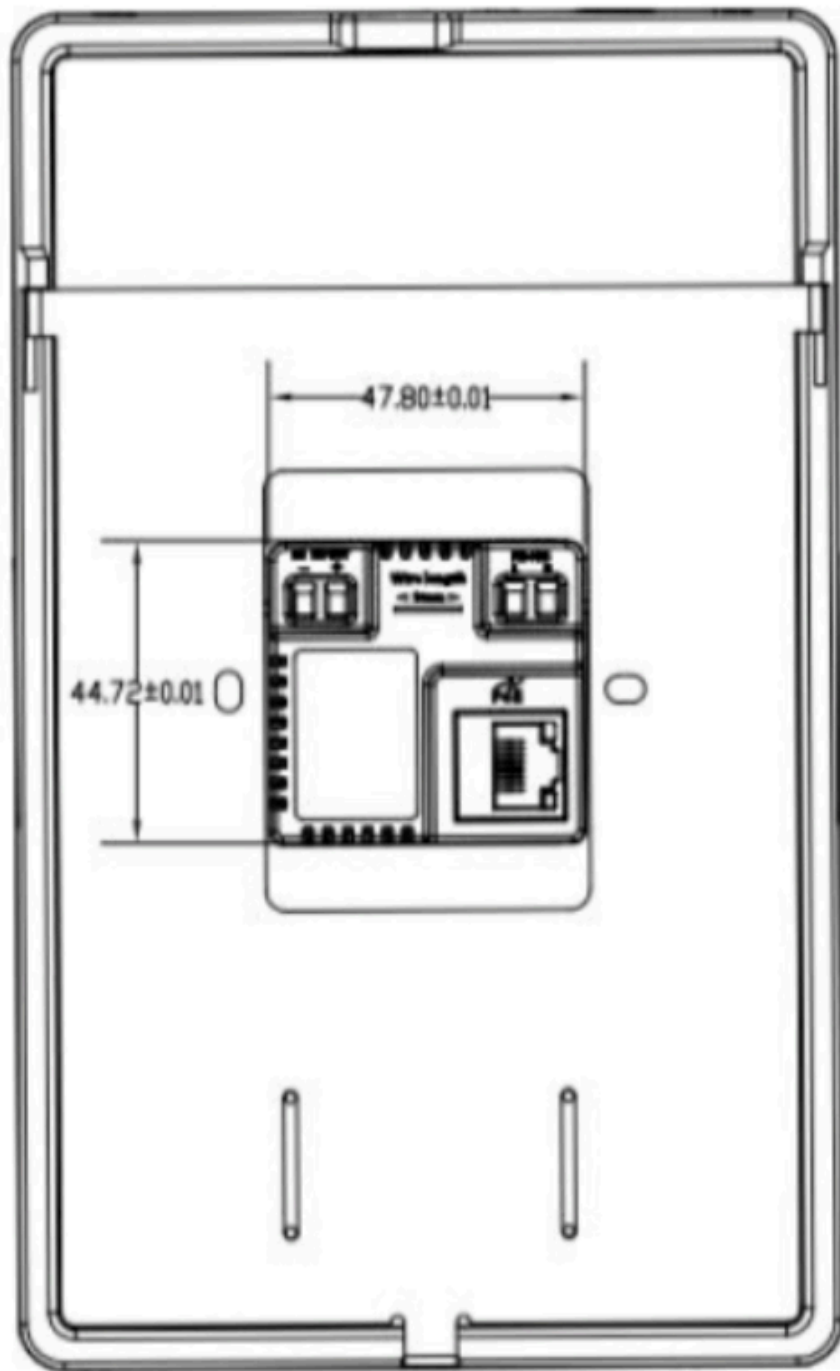
1 Ordering information

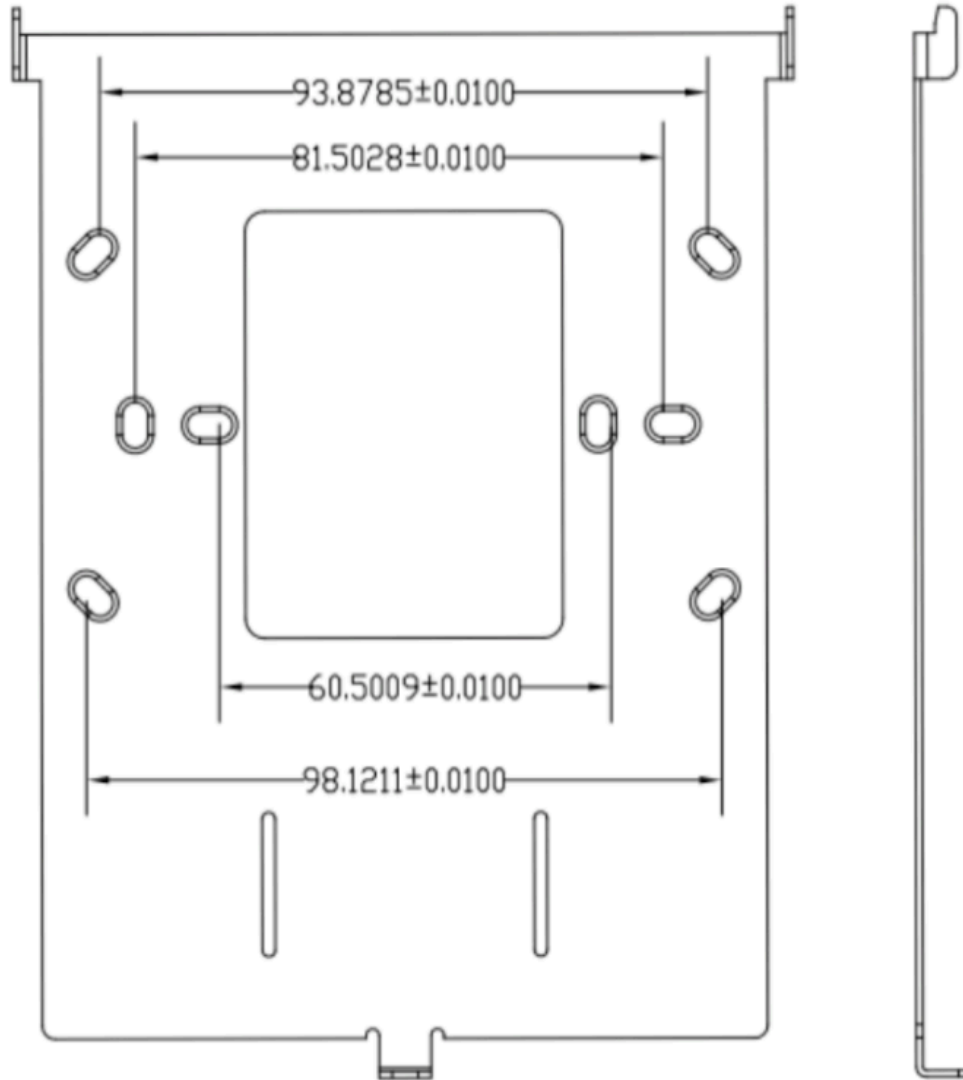
Reference	Description	Life cycle *
ADQ-WSCR8/1ETH/1USB/WIFI/BLE/CR	Adquio 8" screen. It is installed in a standard European or American hole for a mechanism. Designed for continuous operation with 100% stability. Casambi APP pre-installed, can work as HMI for any Adquio controller.	Active

 * For the planning and start-up of new installations, use modules in Active status only.
Model available in Black, White only available for minimum orders of 100 units.

2 Dimensions







3 Technical data

Parameter	Value
Process voltage	
Connections	12V direct current power terminal blocks
Nominal value	12 V DC
power adapter	Optional (Not included)
POE	Yes, IEEE 802.3 at/off
Consumption	
At 12 V direct current	Maximum 1 A

! CAUTION!
Exceeding the maximum power supply voltage for the process or supply voltages could cause irreparable damage to the system. The system could be destroyed.

! CAUTION!!
Inadequate connection cables cause overheating of the terminals. Adquio Wall Screen 8" can be destroyed if the wrong cable type, cable size or cable temperature rating is used.

3.1 Technical data of the display

Parameter	Value
Size	8"
Resolution	1280 × 800 pixels
Viewing angle	Left 85° Right 85° Up 85° Down 85°
Technology	Led, IPS
Glow	250 Cd/m ²
Material	Glass
Touch technology	Capacitive

3.2 Technical data of the processor and memory

Parameter	Value
CPU	RK3566 4-core Cortex-A55 64 Bits
Frequency	1416 GHz
Energy efficiency	Yes
Memory	2 Gb
Internal storage	22 GB Free

3.3 Technical data of communications

Parameter	Value
Network	
Ethernet RJ45	100 Mb/s with POE IEEE 802.3 at/af
Wifi	B/G/N 2.4 y 5 Ghz
USB	
USB-C	OTG
Bluetooth	
Version	4.2
RS-485	
Modbus RTU	For future uses

3.4 Installation technique

Parameter	Value
In standard 60 or 81.5 mm box between horizontal screws	In the space of a standard European or American switch

3.5 Technical data of the OS

Parameter	Value
Type	Android
Version	13.0
Play Store	Yes

3.6 Compatibility tested

Parameter	Value
Casambi App	Yes
Adquio HMI	Yes
Alexa App	Yes
Home Assistant	Yes

4 System data

4.1 Environmental conditions

Parameter	Value
Temperature	
Operation	0°C...+40°C (horizontal mounting)
Storage	-40 ° C ... + 70 ° C
Transport	-40 ° C ... + 70 ° C
Humidity	Max. 95% condensation free
air pressure	
Operation	> 800 hPa / <2000 m
Storage	> 600 hPa / <3500 m
Isolation	IP20

4.2 Mechanical data

Parameter	Value
Mounting	Horizontal or vertical
Protection level	IP20
Case material	ABS UL-94-HB Black
Mounting alternatives	
Mounting with three screws	The ones already present in the embedding box on your wall are used. One more to fix the Screen.

4.3 Certifications

Parameter
CE, Rohs (Available if you need the documents)

Neuronal Innovation Control SL
 Rua Ánade Real 11
 15172 Oleiros, La Coruña
 Spain
 Telephone: +34 881246255
 Email: support@adquio.com
<https://adquio.com>

© 2024 Neuronal Innovation Control SL
 We reserve all rights to this document and the information contained therein. Reproduction, use or disclosure to third parties without express authorization is strictly prohibited.